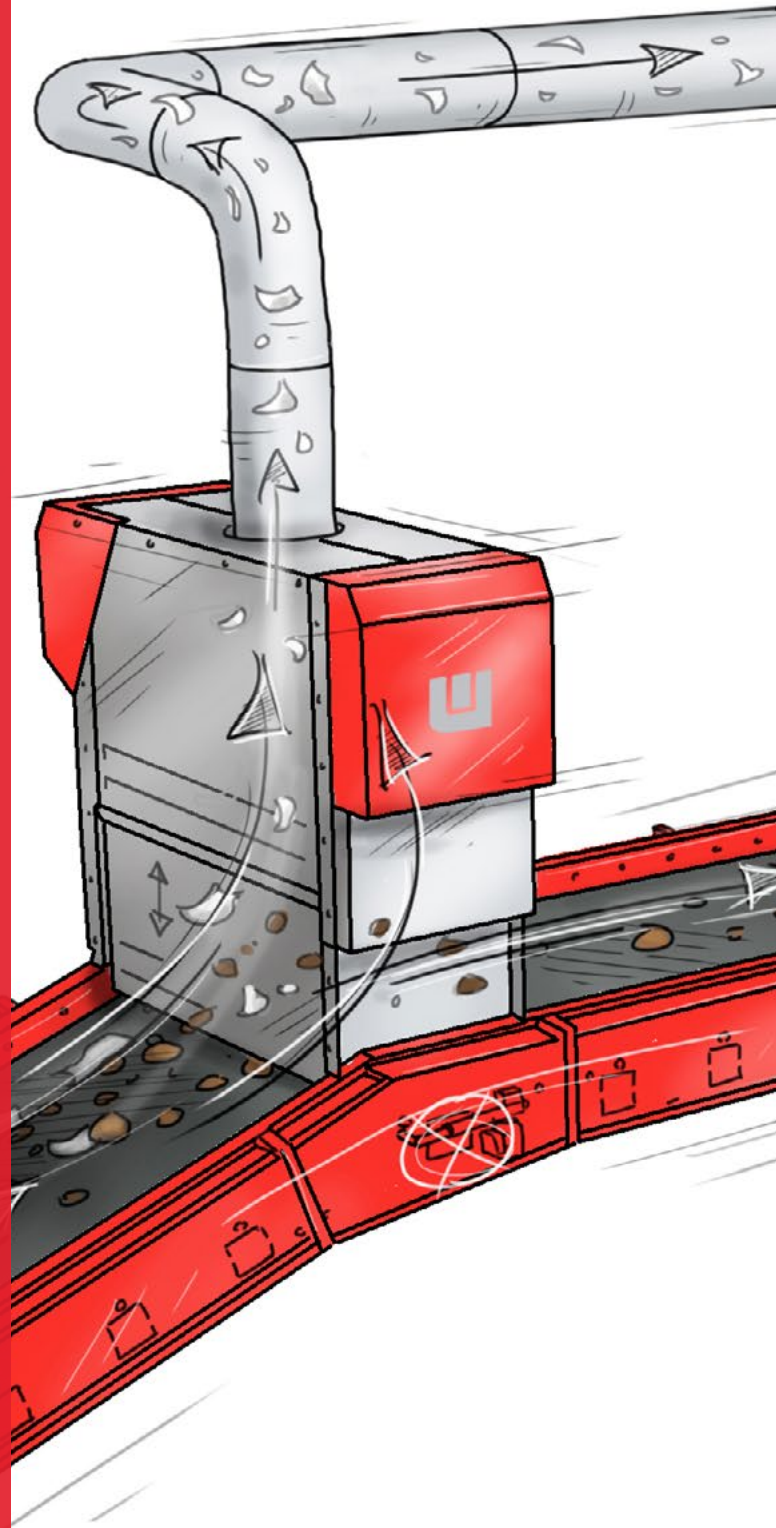
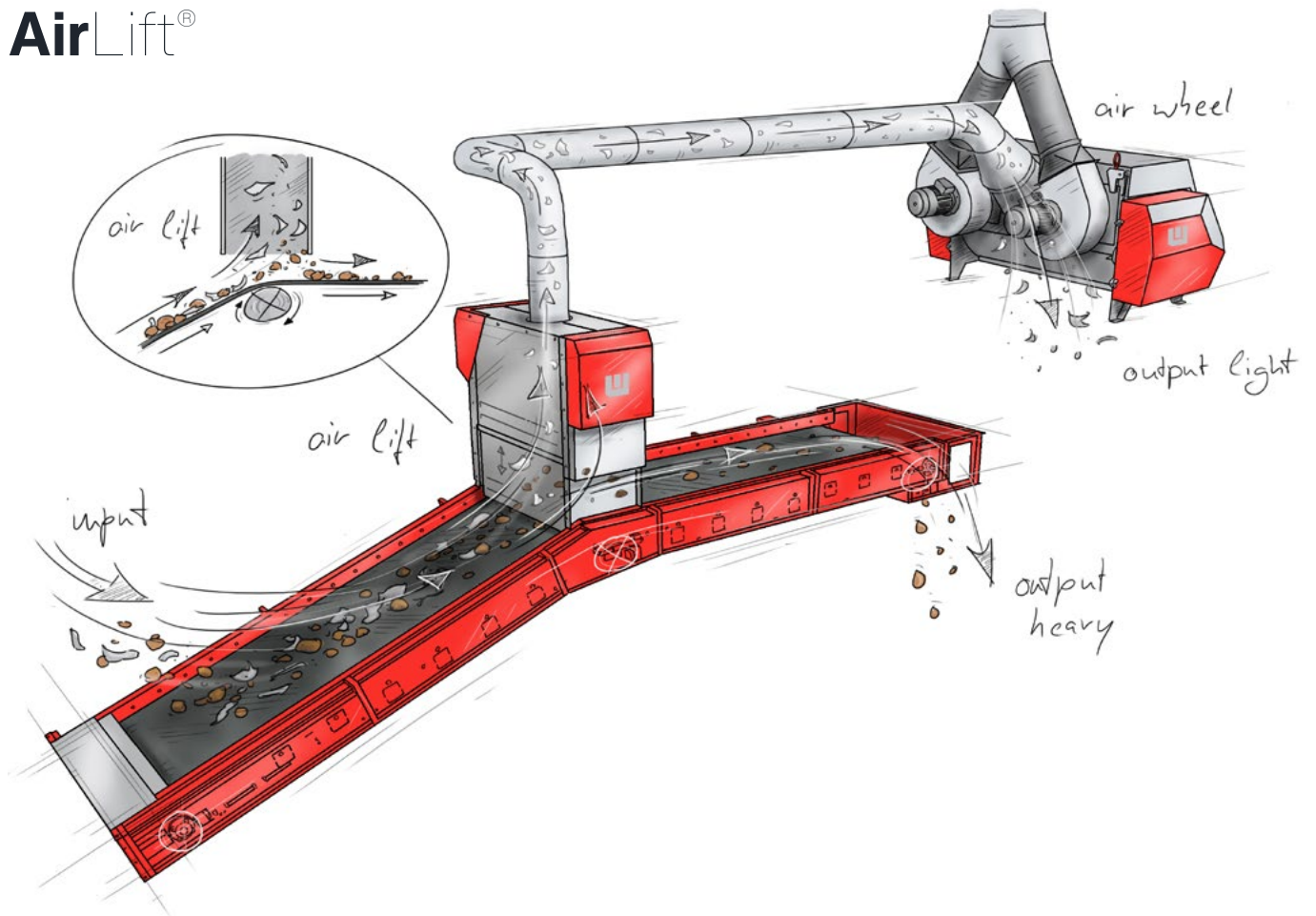


AirLift®

WINDSIFTING | PRODUCT PRESENTATION



AirLift®



Achieve higher purity, throughput and efficiency

Our vacuum windsifting system is conceived to remove impurities from material flows with similar specific densities. Thanks to its modular design it can be easily integrated into existing recycling plants. The operating width can vary between 1000 mm up to 3500 mm.

About us

Westeria is a German company from Westphalia with over 60 years of experience producing innovative machinery. Since 1956, our product portfolio has largely grown to provide high-quality machines, technical expertise and excellent service to our clients. We are constantly developing new recycling machines and conveyor systems for what is perhaps the biggest challenge of the present day: make the circular economy a valuable and profitable reality all over the world.

Components

This windsifter is composed of the following parts:

AirLift®

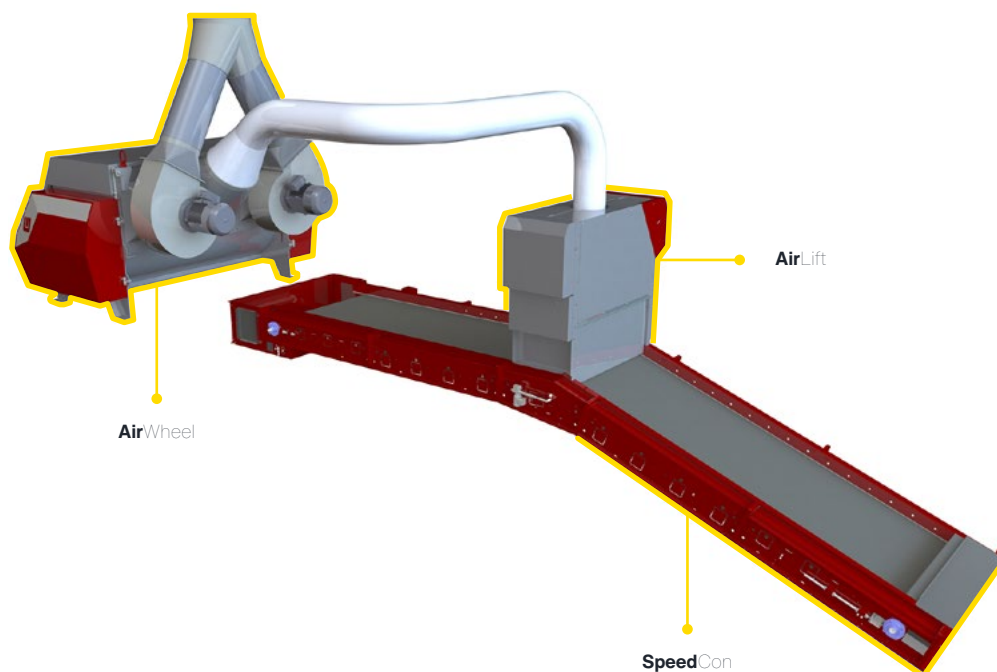
The main body of this system is a vacuum windsifting machine that separates ultra-light impurities from material flows.

AirWheel

Rotary screening drum that separates the ultra-lights from the air stream.

SpeedCon

High-speed angled conveyor belt that can feed material at a speed of up to 4 m/s.



Key advantages

Higher efficiency

than normal overbelt suction systems.

Precise adjustment

of ballistic flight curve, air velocity and viewing gap.

Higher purity levels

of more than 99 %.

Maximal throughput

320 m³/h.

Integrable windsifter

An AirLift can also be added to our windsifters AirBasic and AirStar to separate a third fraction.

Application examples



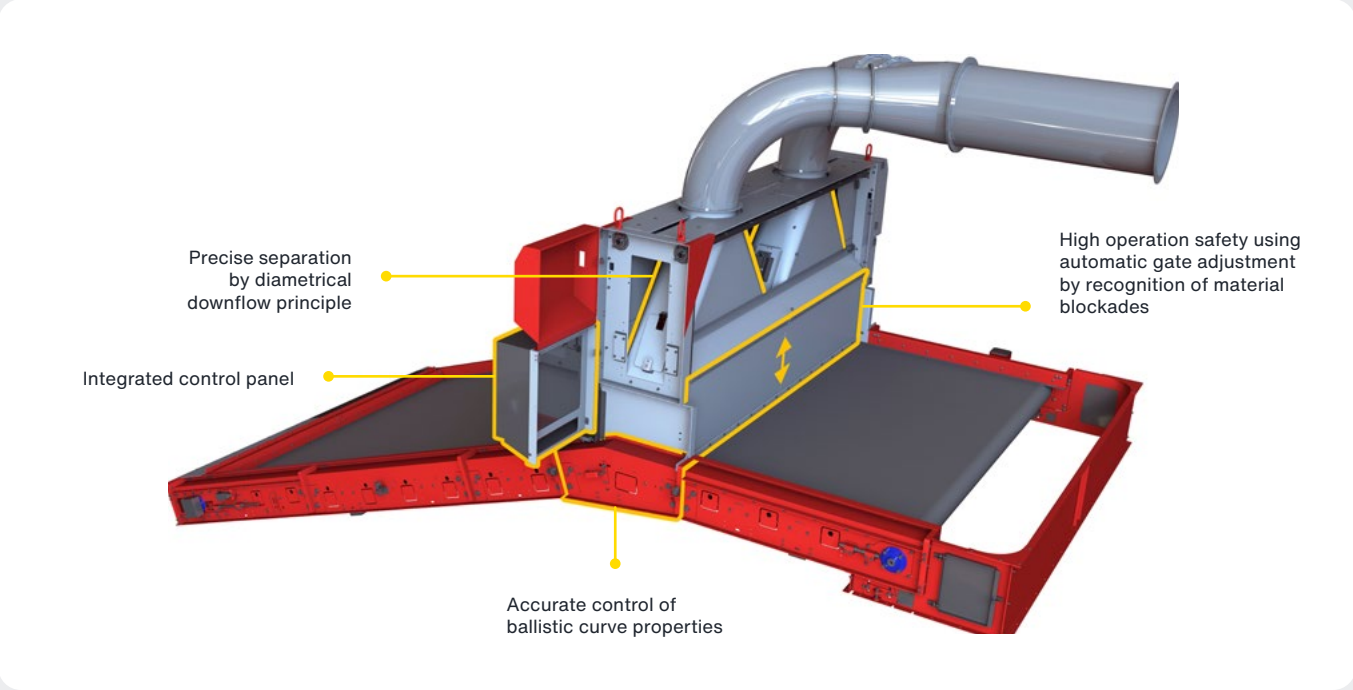
Technology Center

We will test the performance of your materials at our Technology Center and we give you assurance that you will achieve the same results with your application.



- Remove foils and packaging waste from organic household waste
- Extract labels from PET-bottles
- Separation of RDF in high and medium caloric fractions
- Pre-treatment of NIR (higher throughput and purity)
- Post-cleaning of cardboard by separation of paper residue

Details

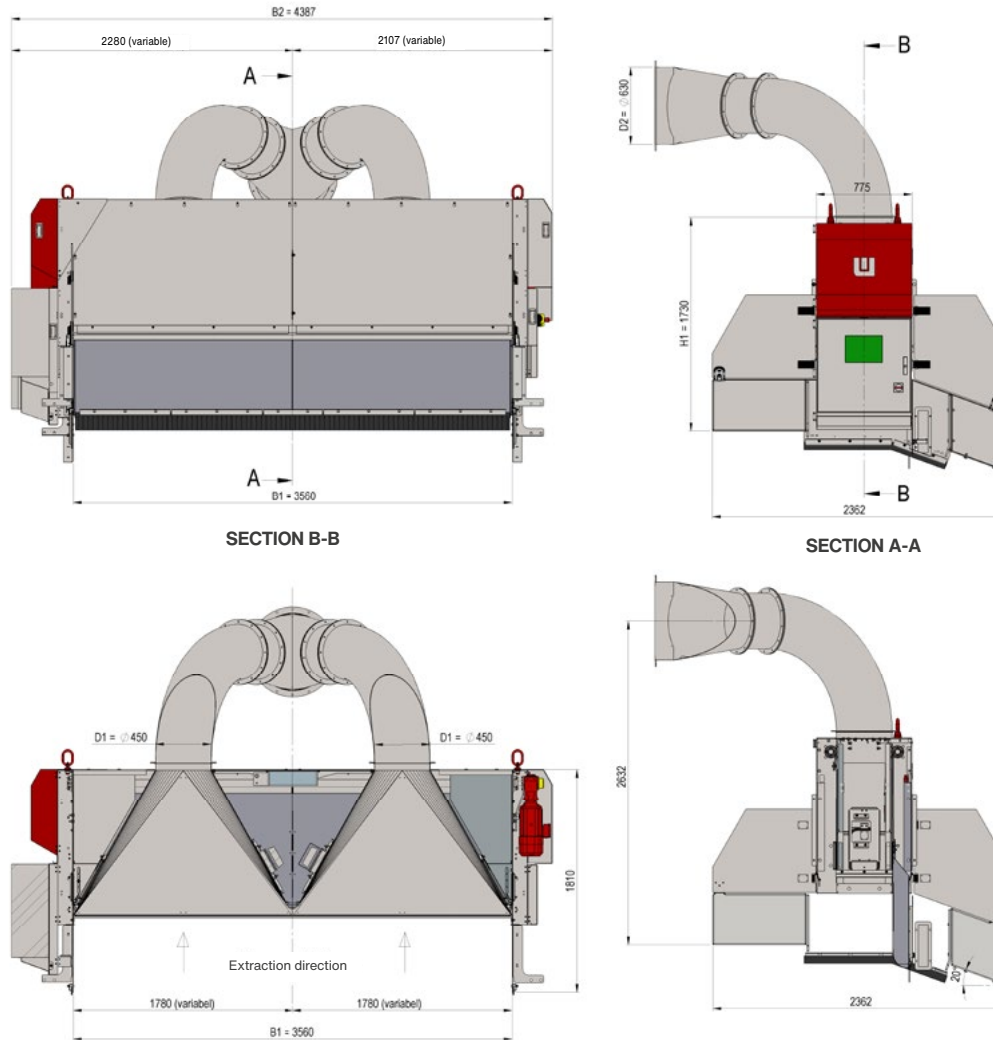


The maintenance friendly AirWheel can be serviced during operation and comes with the automatic cleaning system AirJet.

Optical sensors detect material blockages and release them by automatically raising the input and output gates.

Technical information

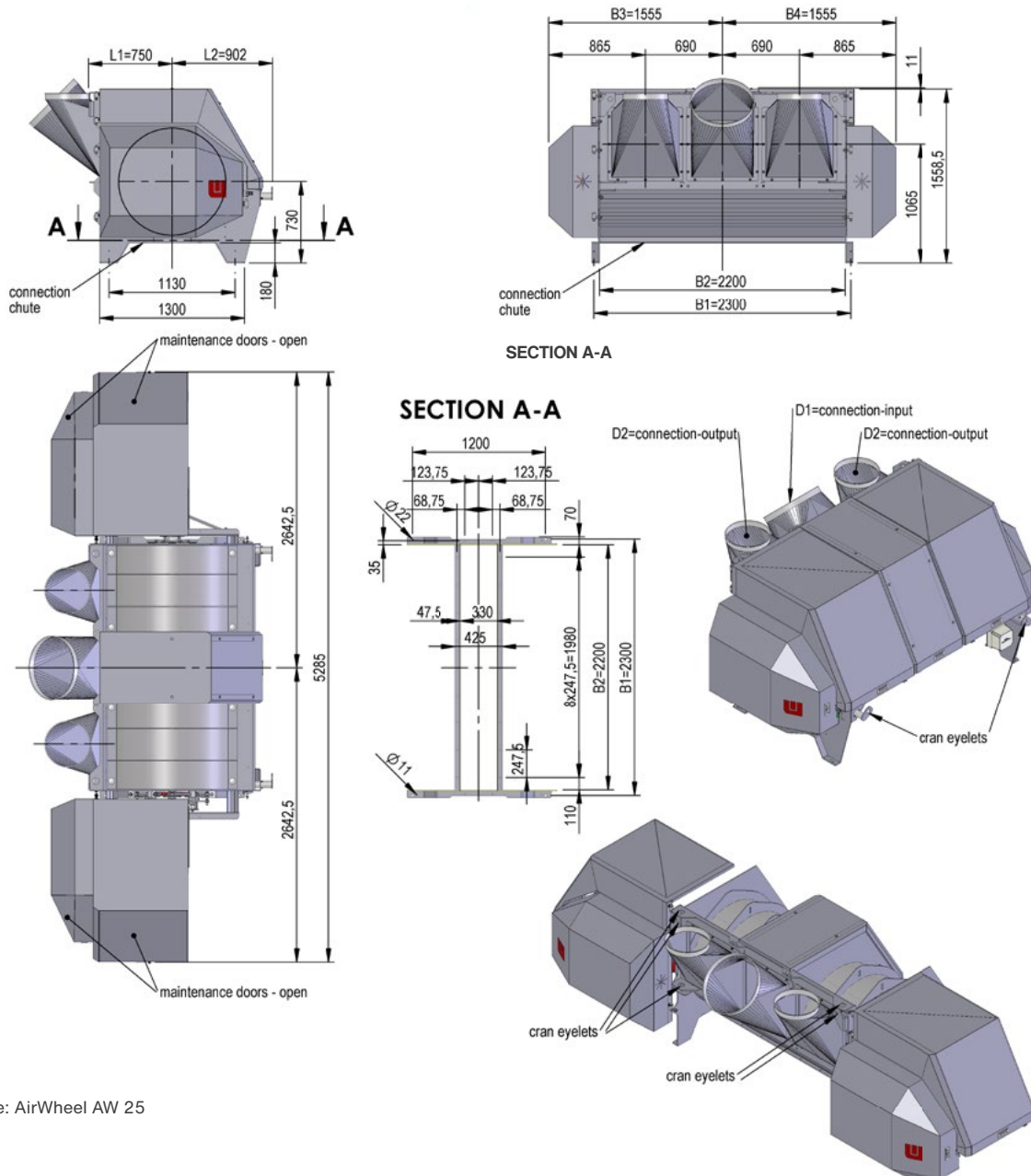
AirLift



Drawed example: AirLit 3500

Model	Parameter	1000	1500	2000	2500	3000	3500
B1	Inner width	1060	1560	2060	2560	3060	3560
B2	Outer width	1887	2387	2887	3387	3887	4387
H1	Construction height of belt frame to top edge suction socket	1730	1730	1730	1730	1730	1730
-	Max. feed capacity grain 0 – 20 (m³/h)	20	30	40	50	60	70
-	Max. feed capacity grain 20 – 60 (m³/h)	70	110	140	180	220	250
-	Max. feed capacity grain 60 – 250 (m³/h)	90	140	180	230	280	320
-	Max. flue capacity (t/h)	1,6	2,4	3,2	4	4,8	5,6
-	Max. air volume (m³/h)	8000	12000	16000	20000	24000	28000
-	Number of pipes	1	1	1	2	2	2
D1	Pipe diameter	300	400	450	2 x 350	2 x 400	2 x 450
D2	Main pipe cross section	300	450	450	500	560	630
-	Application AW-15	x	x	-	-	-	-
-	Application AW-25	-	-	x	x	x	x
-	Axis distance SpeedCon	5510	5510	5510	7490	7490	7490

AirWheel



Drawed example: AirWheel AW 25

Model	Parameter (mm)	AW - 15	AW-25
B1	Connection width	1425	2300
B2	Internal flange width	1325	2200
B3	Axis to outer edge	1093	1555
B4	Axis to outer edge (conveying direction)	1093	1555
L1	Axis to outer edge	750	750
L2	Axis to outer edge	857	902
D1	Inlet diameter	400	560
D2	Outlet diameter	2 x 300	2 x 400
-	Weight (kg)	1418	1920



Westeria® GmbH

Raiffeisenstr. 2, 48346 Ostbevern, Germany
Tel +49 2532 88-0 | www.westeria.de